

SPECIFICATIONS

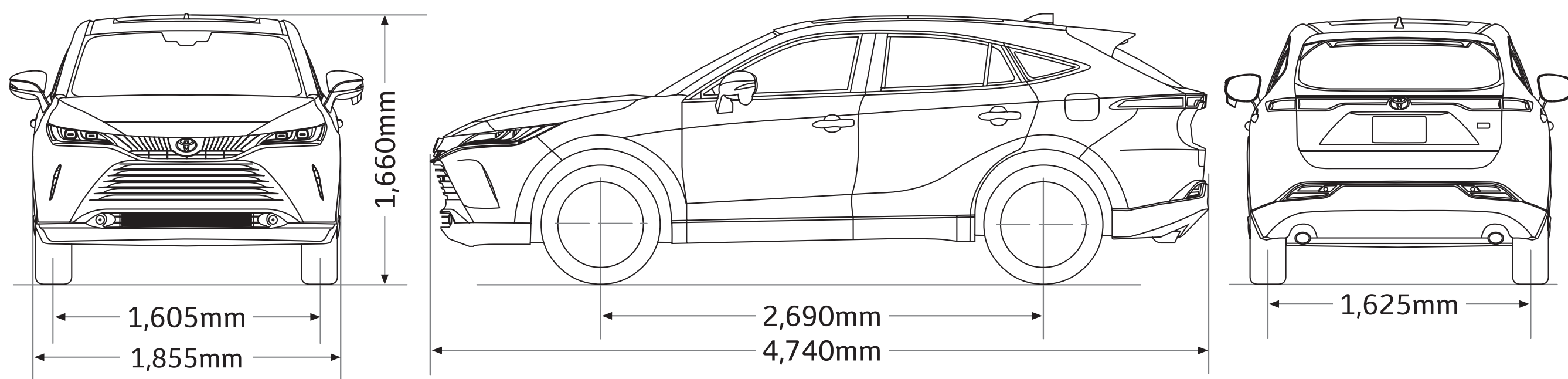
| VARIANT | 2.0 LUXURY SE | | 2.0 LUXURY |
|------------------------------|--|---|--|
| ENGINE | | | |
| Model | M20A-FKS | | |
| Type | 4-cylinder, In-line, 16-Valve DOHC; VVT-iE(Intake) & VVT-i(Exhaust) | | |
| Displacement | cc | 1,987 | |
| Max. Output | PS / rpm | 173 / 6,600 | |
| Max. Torque | Nm /rpm | 203 / 4,400-4,900 | |
| TRANSMISSION | | | |
| Type | Direct Shift Continuously Variable Transmission | | |
| CHASSIS | | | |
| Suspension | Front / Rear | MacPherson Strut with Stabiliser / Trailing Wishbone with Stabiliser | |
| Brakes | Front / Rear | Ventilated Disc / Solid Disc | |
| Tyres & Rims | 225/60R18, Alloy | | |
| Spare Tyre | Temporary Tyre | | |
| Steering | Electric Power Steering | | |
| MEASUREMENTS | | | |
| Overall | Length / Width / Height | (mm) | 4,740 / 1,855 / 1,660 |
| Wheelbase | (mm) | | 2,690 |
| Tread | Front / Rear | (mm) | 1,605 / 1,625 |
| Kerb Weight | (kg) | | 1,610 |
| Min. Turning Radius | (m) | | 5.7 |
| Fuel Capacity | (Litre) | | 55 |
| EXTERIOR FEATURES | | | |
| Headlamps | Type | Automatic Bi-LED Projector with LED Turn Signals | |
| Daytime Running Lights | With (LED) | | |
| Fog Lamps | Front / Rear | With (LED) / With (LED) | |
| Rear Combination Lamps | With (LED) | | |
| Welcome Lights | With | | |
| Wing Mirrors | Auto Retractable with Turn Signal Lamp & Puddle Lamp | | |
| Panoramic Moon Roof | With (Fixed) | | |
| Power Back Door | With (Kick Sensor) | | |
| Wipers | Front / Rear | Automatic with Rain Sensor / Intermittent | |
| Exhaust System | Dual Muffler | | |
| INTERIOR FEATURES | | | |
| Audio System | Type | Display Audio with 8" Capacitive Touch Screen, Wireless Apple CarPlay & Wired Android Auto-ready Connectivity* & Bluetooth® | |
| | Speakers | 6 | |
| | 3.5mm AUX Jack | Without | |
| Door Trim | Leather with Black and Brown Trim | | Leather with Black Trim |
| Air Conditioning | Dual Zone, Automatic Climate Control with Rear Vents | | |
| Nanoë™ X | With | | |
| Meter Panel | Type | Optitron | |
| | Multi-Information Display (MID) | 7" Colour TFT | |
| Seats | Material / Colour | Combination Leather / Black with Brown Stitching | Combination Leather / Black with Black Stitching |
| | Front Seat | Driver | 12-way Power Adjustable with 2-position Memory |
| | | Passenger | 4-way Power Adjustable |
| | Ventilated Seats | | With |
| | Rear Seat | 60:40 Split Fold & Recline | |
| | Rear Armrest | With Cupholders | |
| Smart Entry & Start System | With | | |
| Heads up Display | With | | |
| Wireless Charger | With | | |
| USB Charging Ports | 5-ports Front: USB C (Data) + Dual USB C (Charging) Rear: Dual USB C (Charging) | | |
| Inside Rear View Mirror | Digital Mirror | | |
| Steering Wheel | Power Adjustment | With (4-Way) | |
| | Auto Tilt Away | With | |
| | Material | Leather | |
| | Steering Switches | With | |
| Interior Lights | LED (Dome, Map, Glove Box, Footwell, Door Handle, Door Courtesy, Vanity & Scuff Plate) | | |
| Tonneau Cover | With | | |
| Digital Video Recorder (DVR) | With (Front & Rear) | | |
| Navigation | With | | |
| Luggage Tray | With | | |
| Front Side Glass | Laminated | | |

SPECIFICATIONS

| VARIANT | 2.0 LUXURY SE | 2.0 LUXURY |
|--|--|---|
| SAFETY | | |
| Toyota Safety Sense | Pre-Collision System (PCS) | With |
| | Lane Departure Alert (LDA) | With |
| | Lane Tracing Assist (LTA) | With |
| | Dynamic Radar Cruise Control (DRCC) | With (All Speeds) |
| | Adaptive High-beam System (AHS) | With |
| Vehicle Stability Control (VSC) | With Traction Control (TRC) & Hill-start Assist Control (HAC) | |
| Anti-lock Braking System (ABS) | With Electronic Brake-Force Distribution (EBD) & Brake Assist (BA) | |
| Panoramic View Monitor (PVM) | With | |
| Emergency Stop Signal (ESS) | With | |
| Electric Parking Brake | With Automatic Brake Hold | |
| Intelligent Clearance Sonar (ICS) | With (Front and Rear) | |
| Blind Spot Monitor (BSM) | With Rear Cross Traffic Auto Brake (RCTAB) | |
| Tyre Pressure Monitoring System (TPMS) | With (With Individual Tyre Readout) | |
| SRS Airbags | 7 (Driver, Front Passenger, Side, Curtain & Driver Knee) | |
| Seatbelts | Front | 3-point ELR x 2 with Pretensioner & Force Limiter |
| | Rear | 3-point ELR x 2 with Pretensioner & Force Limiter + 3-point ELR x 1 |
| | Reminder | With (Front & Rear) |
| ISOFIX | With (Outboard Rear Seats) | |
| SECURITY | | |
| Security System | 2 Remote Control Keys, Immobiliser | |
| Vehicle Telematics System (VTS) | With | |
| Toyota Premium Security & Solar Film | With | |

*Functions availability may vary depending on smartphones. For details, please contact your nearest Toyota showroom.

DIMENSIONS



5 years warranty from the date of first registration with unlimited mileage. Terms and Conditions apply.



For Your Auto-Financing Needs

- UMW Toyota Motor reserves the right to alter any details of specifications and equipment without notice.
- Details of specifications and equipment are also subject to change to suit local conditions and requirements.
- Vehicle and specifications in this catalogue may vary from models available locally.
- Vehicle body and accessory colours might differ from the printed photos in this catalogue.
- All images used are for illustrative purposes.