

# INNOVA



V I S I O N  
B A L A N C E  
C O N T R O L  
I N S T I N C T  
A W A R E N E S S  
P O W E R  
T O U C H

# PRESTIGE PERFECTED

C O O L I N G  
A M B I E N C E  
L U X U R Y  
C O M F O R T



# I N N O V A 2 . 0 X

The new Innova's exciting exterior is backed by unshakeable toughness — its combination of functional elegance and power is sure to catch anyone's attention.



Premium Black Combination  
Leather Seats (7-seater Arrangement)



Actual vehicle may vary from image shown. Specifications may vary depending on Innova variant.

# Instrument Panel with Luxurious Wooden Trim



9" Display Audio with Apple CarPlay & Android Auto™ Wireless Connectivity\*



\*Android Auto™ will be available when the service is officially launched in Malaysia. Actual vehicle may vary from image shown. Specifications may vary depending on Innova variant.

Automatic LED Projector Headlamps  
(with Follow-Me-Home Function),  
LED Daytime Running Lights (DRL)  
and Front LED Fog Lamps



17" Alloy Rims

2nd-row Captain Seats



LED Ambient Lighting



8-way Power Adjustable Driver Seat





USB Ports

Panoramic  
View Monitor  
(PVM)



Blind Spot  
Monitor (BSM)  
with Rear Cross  
Traffic Alert  
(RCTA)

Vehicle  
Telematics  
System (VTS)



Wireless  
Charger

# I N N O V A 2 . 0 G

The new Innova can comfortably accommodate your whole family with 8 seats and a spacious interior.



16" Alloy Rims





Power Adjustable &  
Retractable Wing Mirrors with  
Turn Signal Lamp & Puddle Lamp



Shark Fin Antenna



Easy Closer  
Back Door

Auto Up/Down  
Power Window with  
Jam Protection  
for all windows



Smart Entry  
& Start System

Panoramic  
View Monitor  
(PVM)





Blind Spot Monitor (BSM) with Rear Cross Traffic Alert (RCTA)

Optitron Meter with 4.2" Colour Multi-information Display



Front & Rear Automatic Air-conditioning

Upper Glovebox with Cooler Function & Foldable 2nd-row Seat Back Table



Spacious 8-seater



Multiple Storage Spaces



Vehicle Telematics System (VTS)



Wireless Charger

Wireless charging for Qi standard-compliant devices.  
Actual vehicle may vary from image shown. Specifications may vary depending on Innova variant.

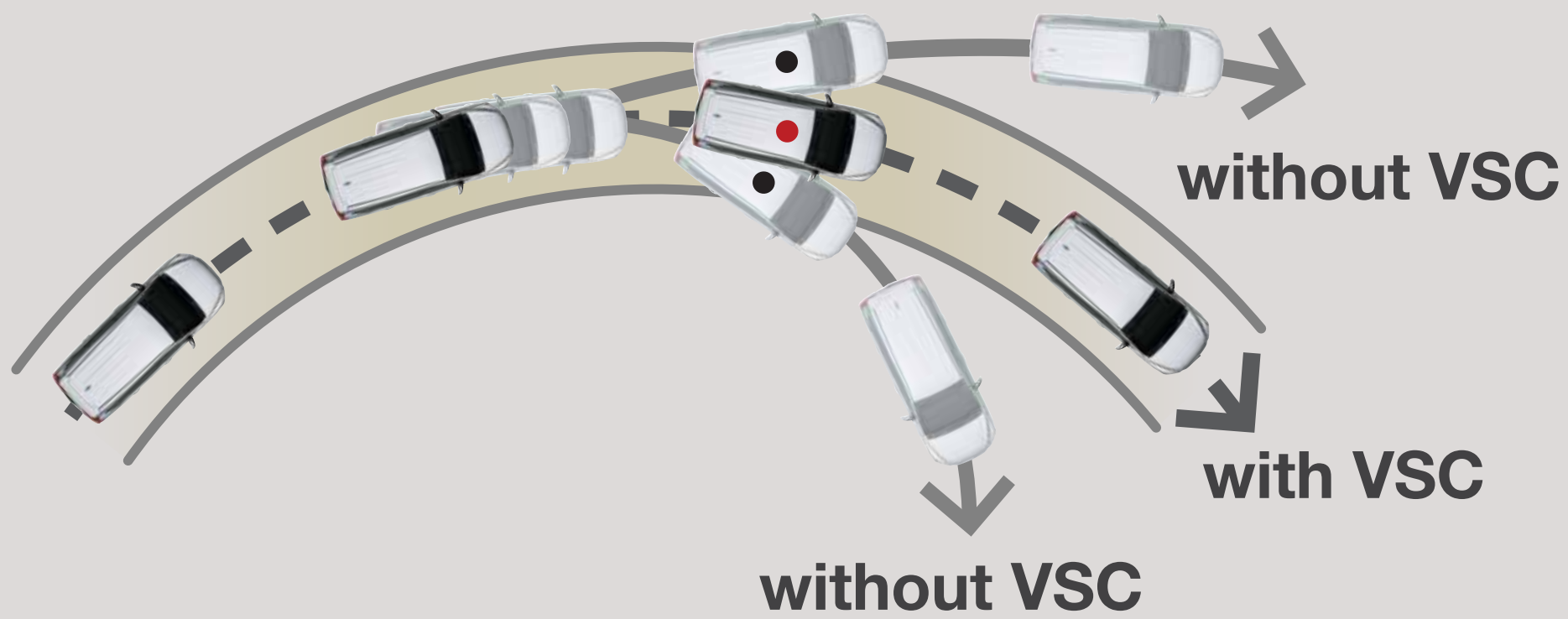
# S A F E T Y

Have greater peace of mind with BEST-IN-CLASS safety features in all variants of the Innova.



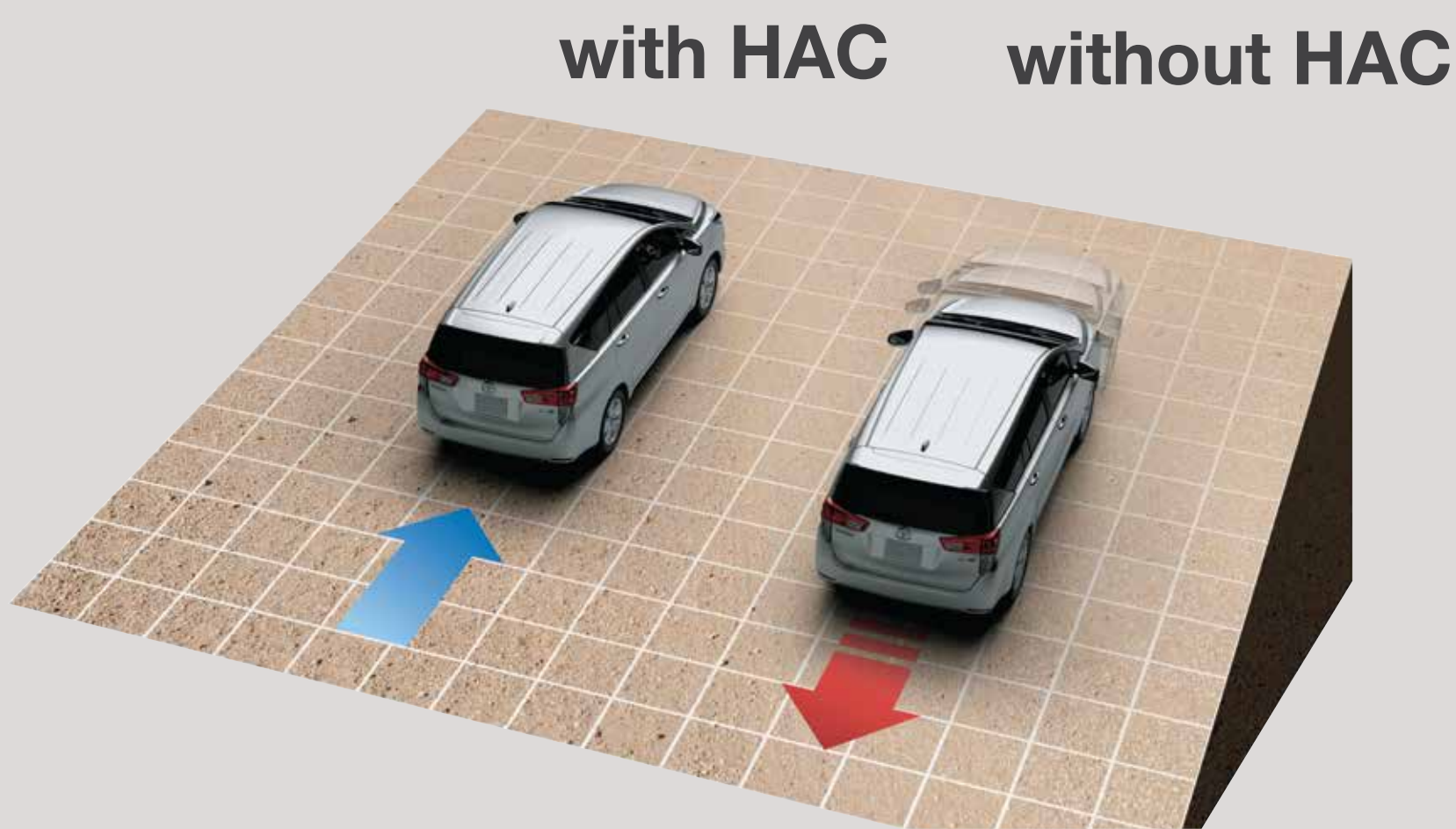
## **7 SRS Airbags**

Driver, front passenger, side, curtain and driver's knee airbags provide complete protection for driver and passengers in the event of a collision.



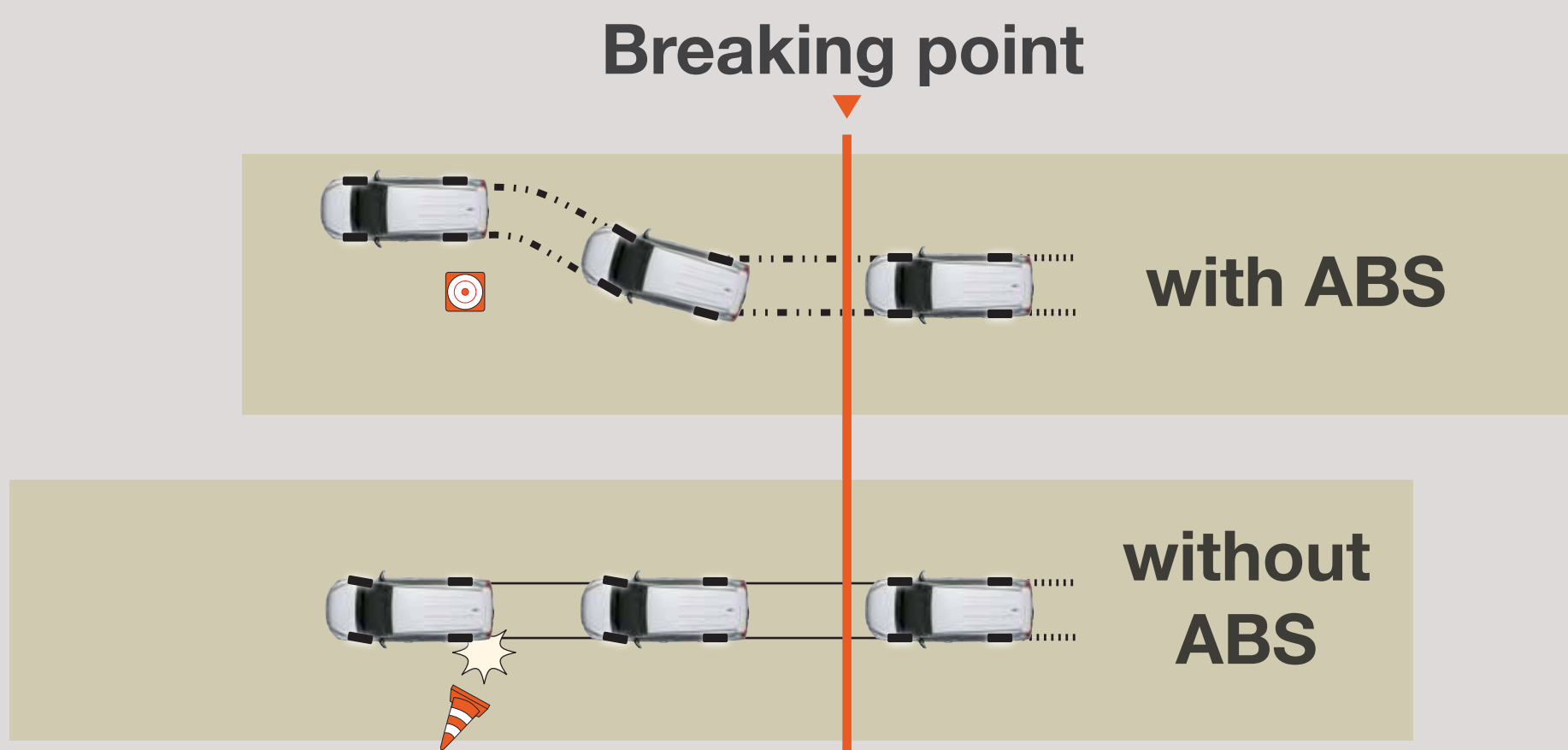
### Vehicle Stability Control (VSC)

Intelligently brakes individual wheels to prevent understeer and oversteer.



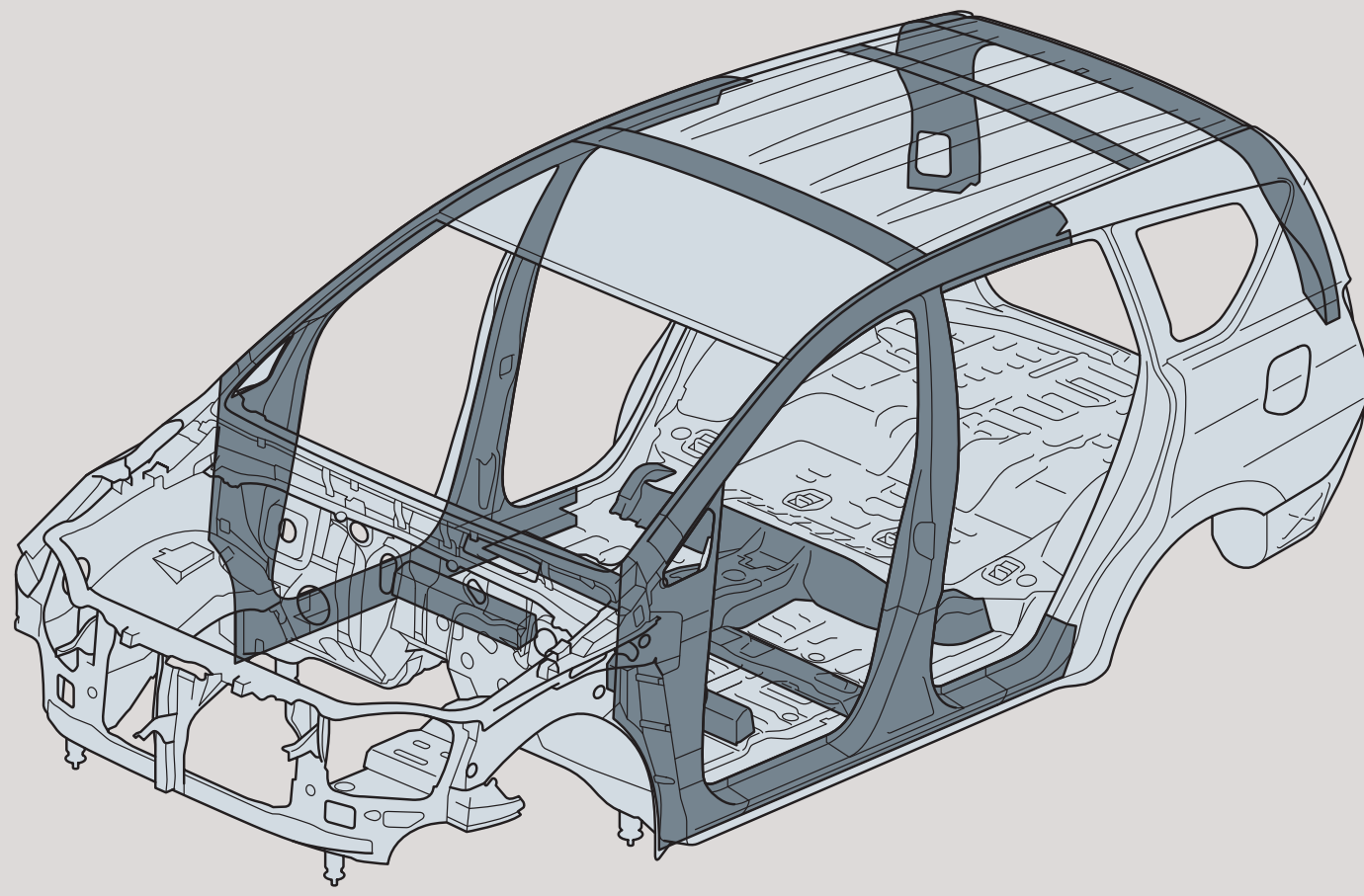
### Hill-start Assist Control (HAC)

Prevents the Innova from rolling backwards when moving forward up a steep slope from standstill.



### Anti-lock Brake System (ABS) with Electronic Brake-force Distribution (EBD) and Brake Assist (BA)

Prevents tyres from locking during braking, for more stable stops especially on slippery road surfaces. Brake Assist automatically applies a large braking force when sudden braking is detected.



### **Impact Absorbing Body & Frame Structure**

The Innova's body structure is made of high-tensile steel sheets and supplementary materials to absorb impact in the event of a collision.



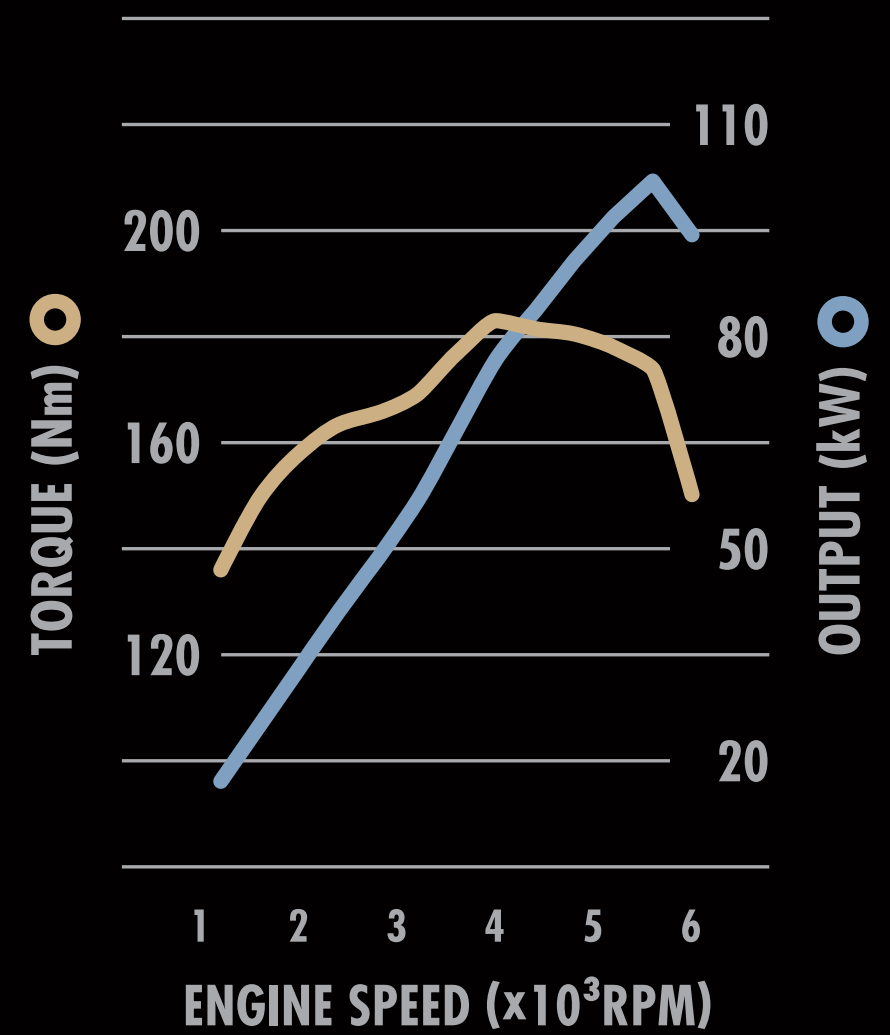
### **Emergency Stop Signal**

Hazard warning lights are activated when sudden braking is detected to warn vehicles behind.



**Innova has been awarded an overall rating of 5-stars**

# P E R F O R M A N C E



## 2.0L ITR-FE Dual VVT-i Engine

The 2.0L VVT-i engine provides enhanced fuel efficiency and midrange torque for more fun wherever you go.





### **6-speed AT Transmission**

Standard in all variants, the wider gear ratio spread provides more power during acceleration, and low cruising RPM for better fuel efficiency and reduced noise.



### **Drive Mode Switch**

Choose from 3 drive modes:

**Normal:** The best balance between fuel efficiency and performance for everyday use.

**ECO:** Reduces power consumption and optimizes A/C cooling for maximum efficiency.

**Power:** Enhances acceleration for a more exciting drive.

C O L O U R   S E L E C T I O N

Super White II (040)

Silver Metallic (1D4)

Medium Silver Metallic (1F8)

Bronze Mica Metallic (4T3)

Phantom Brown Metallic (4W9)

Attitude Black Mica (218)

Crimson Spark Red Metallic (3T6)  
*available for 2.0X only*

# OPTIONAL ACCESSORIES



## **Panoramic View Monitor (PVM)**

360° view that allows you to be aware of hazards surrounding your vehicle during parking.



## **Blind Spot Monitor (BSM) with Rear Cross Traffic Alert (RCTA)**

Lights up when other vehicles are in your blind spot and alerts driver to incoming vehicles in your backing path.



## **Front & Rear Digital Video Recorder (DVR)**

Extra pair of eyes to ensure every detail of your journey is recorded, should you need it.



## **9" Display Audio with Apple Carplay & Android Auto™ Wireless Connectivity\***

Select navigation and music options through phone or built-in controls.

\*Android Auto™ will be available when the service is officially launched in Malaysia. Actual vehicle may vary from image shown. Specifications may vary depending on Innova variant.

# OPTIONAL ACCESSORIES



## **Premium Security & Solar Film Tint**

Security meets comfort — prevent glass break-ins, reflect harmful rays and keep the cabin cool.



## **Vehicle Telematics System (VTS)**

Track and monitor your vehicle's real-time location through the Toyota VTS mobile app.

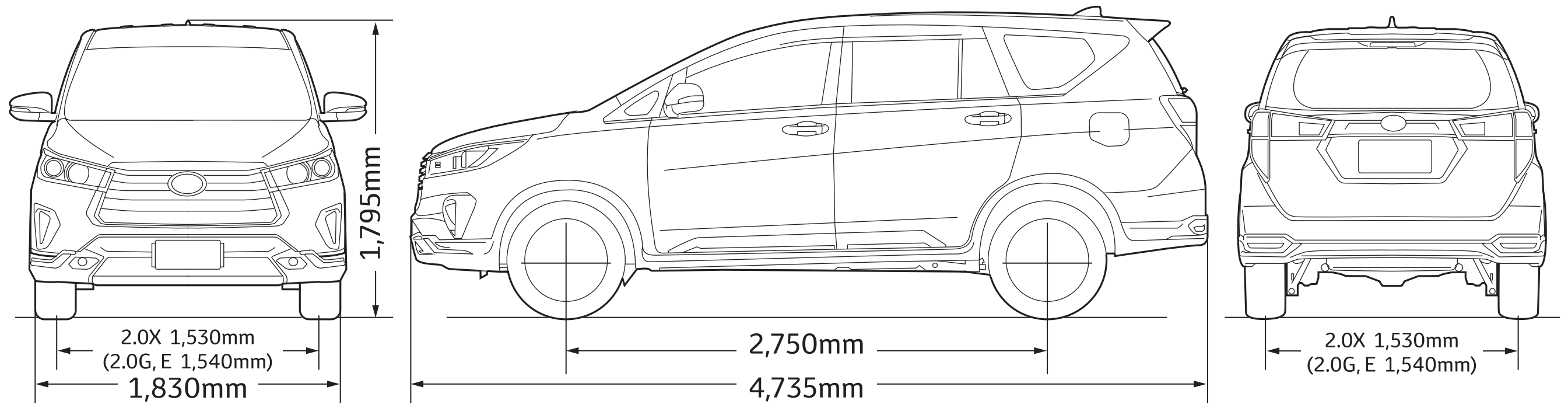
# S P E C I F I C A T I O N S

VARIANT		2.0X (AT)	2.0G (AT)	2.0E (AT)
<b>ENGINE</b>				
Model		1TR-FE		
Type		4-cylinder In-line, 16-valve DOHC with Dual VVT-i		
Displacement	cc	1,998		
Max. Output	PS / rpm	139 / 5,600		
Max. Torque	Nm / rpm	183 / 4,000		
<b>TRANSMISSION</b>				
Type		6-speed Automatic with Sequential Shifter		
<b>CHASSIS</b>				
Tyres & Rims (Including Spare Wheel)		215/55R17, Alloy	205/65R16, Alloy	
<b>MEASUREMENTS</b>				
Dimension	Length x Width x Height	mm	4,735 x 1,830 x 1,795	
Wheelbase		mm	2,750	
Min. Ground Clearance		mm	200	
Weight	Kerb / Gross	kg	1,750 / 2,330	1,740 / 2,370
Fuel Capacity		litre	55	
<b>EXTERIOR</b>				
Enhancement Package		With (New Design Front & Rear Bumper Spoiler, Overfenders & Rocker Lower Moulding)	Without	
Headlamps	Type	Automatic LED Projector (with Follow Me Home Function)	Automatic Halogen Multi-reflector (with Follow Me Home Function)	
Daytime Running Lights		With (LED)	With (Bulb)	
Fog Lamps	Front / Rear	With (LED) / With	With / With	Without/With
Radiator Grille		Dark Chrome with Black Paint	Chrome with Grey Paint	Black + Silver Paint
Wing Mirrors		Chrome Power Adjustable & Retractable with Turn Signal Lamp & Puddle Lamp		Power Adjustable with Turn Signal Lamp
Door Handles		Chrome		Body Colour
Rear Spoiler		With (With LED High Mount Stop Lamp)		
Wipers	Front / Rear	Intermittent with Time Adjustable & Mist / With		Intermittent & Mist / With
<b>INTERIOR</b>				
Meter Panel	Type	Optitron with Illumination Control		Back Light
Multi-Information Display (MID)		With (4.2" Colour TFT)		With
Instrument Panel		Wood and Silver Trim		Black and Silver Trim
Audio System	Type	9" Display Audio with Wired / Wireless Apple CarPlay & Android Auto™ Ready Connectivity*, USB & Bluetooth®		CD Player with Tuner, MP3, AUX-Jack, USB & Bluetooth®
Speakers		6		
USB Charging Port		With		
Air-conditioning	Front & Rear	Automatic		Manual
Steering Wheel	Type	3-spoke Leather Wrapped with Wood & Silver Trim, Tilt & Telescopic Adjustable		3-spoke Urethane with Silver Trim, Tilt & Telescopic Adjustable
Switches		Audio, MID, Bluetooth® Hands-free		
Smart Entry & Start System		With		Without (with Jack Knife Key)
Power Windows		With (Auto Up / Down with Jam Protection for All Windows)		With (Driver Side Auto Up / Down with Jam Protection)
Sunvisor	Driver & Passenger	With (Mirror & Lamp)		With (Mirror)
Drive Mode		With (Normal, ECO & Power Mode)		
Gear Knob		Leather Wrapped with Silver Ornament		Urethane
Accessory Power Outlet		With (12V x 2)		
Assist Grips		Roof x 6		
Door Trim		Fabric Wrapped with Silver & Piano Black & Wood Trim	Fabric Wrapped with Silver & Piano Black Finish	Fabric Wrapped
Seats	Material	Combination Leather (Black)	Fabric (Black)	
Front Seats	Driver / Passenger	8-way Power / 4-way Manual	6-way Manual / 4-way Manual	
2nd Row	Type	Captain Seats, One Touch Tumble	60:40 Split Fold, One Touch Tumble	
Adjustment		Sliding & Reclining		
Armrest		With	With (with Cup Holders)	Without
3rd Row	Type	50:50 Split Fold, One Touch Easy Space Up		
Adjustment		Reclining		
Storage	Centre Console Box	With (Soft Lid & Wood Trim)	With (Soft Lid)	With (Lid)
Lower Glove Box		With Lock & Damper		With Lock
Upper Glove Box		With (With Cooler Function)		
Sunglass Holder		With		
Front Seat Back Pockets		With		
2nd Row Seatback Tables		With		Without
Cup Holders		With		
Lamps	Personal	Front / Rear	With / With	With / Without
Dome Lamp		With		
Luggage Room		With		
Ignition Key / Push Start Button		With		
Roof Ambient Lighting		With (LED)		Without

# S P E C I F I C A T I O N S

VARIANT		2.0X (AT)	2.0G (AT)	2.0E (AT)
<b>INTERIOR</b>				
Easy Closer Back Door		With		Without
Wireless Charger		With		
Digital Video Recorder (DVR)	Front	With	Optional	
<b>SAFETY</b>				
Anti-lock Brake System (ABS)		With Electronic Brake-force Distribution (EBD) & Brake Assist (BA)		
Vehicle Stability Control (VSC)		With Traction Control (TRC), Hill-start Assist Control (HAC), Emergency Stop Signal (ESS)		
Parking Sensor		With (Front & Rear)		
Blind Spot Monitor (BSM) with Rear Cross Traffic Alert (RCTA)		With		Optional
SRS Airbags		7 (Driver, Front Passenger, Side, Curtain & Driver Knee)		
Seat Belt	Front	3-point ELR x 2 with Pretensioner & Force Limiter		
	2nd Row	3-point ELR x 2	3-point ELR x 3	
	3rd Row	3-point ELR x 3		
Height Adjustable Seatbelt Anchor		With (Front)		
ISOFIX (Child Restraint System)		With (Outboard 2nd Row Seats)		
Panoramic View Monitor (PVM)		With		Optional
<b>SECURITY</b>				
Alarm System		Immobiliser, Siren with Backup Battery, Ultrasonic Sensor, Glass Break Sensor, Double Locking & Speed Auto Door Lock		
Vehicle Telematics System (VTS)		With		Optional
<b>OPTIONAL</b>				
Display Audio System with Reverse Camera		With		9" Display Audio with Wired / Wireless Apple CarPlay & Android Auto™ Ready Connectivity*, USB & Bluetooth®
Toyota Premium Security & Solar Film		Optional		
Digital Video Recorder (DVR)	Rear	Optional		

\*Android Auto™ will be available when the service is officially launched in Malaysia. For details, please contact your nearest Toyota showroom.



5 years warranty from the date of first registration with unlimited mileage. Terms and Conditions apply.



BE PROTECTED WHILE YOU ENJOY EXCLUSIVE INSURANCE BENEFITS.



Energy Efficient Vehicle



For Your Auto-Financing Needs

- UMW Toyota Motor reserves the right to alter any details of specifications and equipment without notice.
- Details of specifications and equipment are also subject to change to suit local conditions and requirements.
- Vehicle and specifications in this catalogue may vary from models available locally.
- Vehicle body and accessory colours might differ from the printed photos in this catalogue.
- All images used are for illustrative purposes.