



THIS IS *COROLLA*  
**A DRIVE  
TO BE FREE**





# EXTERIOR MORE PRESTIGIOUS.

The new exterior design of the Corolla breathes nothing but class. With weighted bumper corners and an imposing solid mass, other drivers will know who owns the road.

Reka bentuk Corolla dengan kelas tersendiri. Direka dengan sudut bampar yang kukuh membuatkan pemandu lain tahu siapa anda di atas jalan raya.



**Auto Bi-LED Headlamps with Follow-Me-Home Function**  
LED-based that further emphasises the headlamps' wide and dynamic appeal.

**Lampu Utama dengan Fungsi Follow-Me-Home**

Rekaan estetik Lampu Utama diserahkan lagi dengan lampu LED.



**17" Alloy Rims**  
Machine-polished multi-spoke metallic rims that embodies luxury and exclusivity.

**Rim Alooi 17"**

Reka bentuk rim metalik yang menggambarkan ciri mewah dan eksklusif.

# INTERIOR MORE DYNAMIC.

The interior layout offers full access to all of the Corolla's advanced features. With complete control, the sophistication in every journey will show. Unlock the full mastery of your drive with the Toyota Corolla.

Ruang dalaman yang direka untuk memberi kemudahan akses kepada ciri-ciri kereta, memastikan anda untuk sentiasa memperoleh yang terbaik sepanjang perjalanan. Kecapi penguasaan penuh pemanduan dengan Toyota Corolla.



**Genuine Leather Seats**  
Reduces fatigue during long drives with optimal back support and 8-way seat adjustment for driver seat.

**Tempat Duduk dengan Kombinasi Kulit**  
Tempat duduk pemandu boleh laras 8-hala dapat mengurangkan kepenatan pemanduan jarak jauh dengan sokongan optimum.



**Instrument Panel**  
Console finished with glossy black and silver ornaments for a classy feel.

**Papan Pemuka dan Konsol Tengah**  
Rekaan kabin yang lebih elegan dengan kemas glos hitam dan silver pada konsol.



**7" Color Multi-information Display With Optitron Meter**  
High grade meter with excellent visibility switchable between analog and digital meter.

**Meter Optitron 7" dengan Paparan Pelbagai Maklumat**  
Meter gred tinggi dengan paparan jelas yang boleh diubah antara meter analog dan digital.



# COMFORT & CONVENIENCE



## Dual Zone Auto Air-conditioning

Driver and front passenger are able to set independent temperatures to suit their comfort level.

### Penyaman Udara Dua Zon

Pemandu dan penumpang dapat melaras suhu mengikut tahap keselesaan individu.



## Automatic Rain-sensing Wipers

Equipped with infrared optical light sensors for millilitre-precision speed adjustment.

### Pengelap Cermin Depan dengan Sensor Automatik

Sistem sensor inframerah dengan cahaya optik untuk ketepatan mililiter dan pelarasan kelajuan.



## Rear Sunshade

Developed to offer additional shade for rear passengers.

### Peneduh Tempat Duduk Belakang

Direka untuk perlindungan lebih dari cahaya matahari bagi penumpang tempat duduk belakang.



## Rear Blower

Conveniently located at center console box for rear passengers. Specialized ventilation system for optimum humidity.

### Penyaman Udara dengan Saluran Tempat Duduk Belakang

Terletak sesuai di konsol tengah bagi penumpang tempat duduk belakang – khusus untuk pengudaraan kelembapan optimum.

# PERFORMANCE

Not shy on performance, the Corolla's reinforced exterior gives it an edge in speed and control. Go beyond the rest with the advanced features of a high-performance vehicle designed with prestige in mind.

Prestasi dalam kelas tersendiri. Corolla diperkuat dengan luaran kenderaan yang memberikan kelebihan dalam kawalan dan kelajuan. Dengan ciri-ciri kenderaan berprestasi tinggi yang direka dengan penuh prestij, ianya melangkaui kenderaan lain dalam segmen yang sama.



## TNGA Toyota New Global Architecture



### TNGA Platform

Optimised weight balance and reinforced vehicular body to provide the visibility, stability, and agility you need for a better driving performance.

#### Platform TNGA

Keseimbangan berat menyeluruh dan rangka kereta yang diperkuatkan untuk memberi penglihatan, kestabilan dan ketangkasan yang diperlukan untuk prestasi pemanduan yang lebih baik.



### Double Wishbone Rear Suspension

Enhanced linear steering response during a mid-to-high speed cornering, giving you superior ride comfort.

#### Ampaian Tulang Selangka Berganda

Memperkuat gerak balas garisan stereng ketika pembelokan dalam keadaan kelajuan sederhana dan kelajuan tinggi untuk memberi anda keselesaan perjalanan yang hebat.



### Drive Mode (ECO & SPORT Mode) with Paddle Shifters

ECO mode maximises fuel efficiency. SPORT mode offers more responsive handling. Paddle Shifters allow for manual mode with up to 7-speed gear shifts.

#### Mod Pemanduan (ECO & SPORT) dengan "Paddle Shifters"

Mod ECO khas untuk kecekapan bahan api manakala mod SPORT khusus bagi pengendalian responsif. Dalam mod manual, "paddle shifter" membolehkan pemandu menukar tuil gear hingga 7-kelajuan.



### 1.8L DOHC Dual VVT-i Engine

Toyota 2ZR-FE known for its balanced power and fuel efficiency. Drive assured with Toyota's quality, durability, and reliability.

#### Enjin 1.8L DOHC VVT-i Berkembar

Toyota 2ZR-FE dikenali dengan keseimbangan kuasa dan kecekapan bahan api. Pemanduan yang meyakinkan dengan kualiti, ketahanan, dan kebolehpercayaan Toyota.



### 7-speed Continuously Variable Transmission (CVT)

Automatic transmission retuned for smooth and seamless response during acceleration.

#### Transmisi Boleh Laras Berterusan 7-kelajuan

Transmisi automatik yang dilaras bagi pengendalian lancar kenderaan dalam kondisi pecutan.

# SAFETY

The most premium driving experience comes with the knowledge that you are in full control. That's why the Corolla comes equipped with the extensive technology needed to keep you in command of the road.

Pengalaman pemanduan premium datang dengan pengetahuan anda yang berada dalam kawalan penuh. Oleh itu, Corolla dilengkapi dengan teknologi yang canggih untuk memastikan anda mengawal perjalanan.



Toyota  
Safety  
Sense

## TOYOTA SAFETY SENSE (TSS)

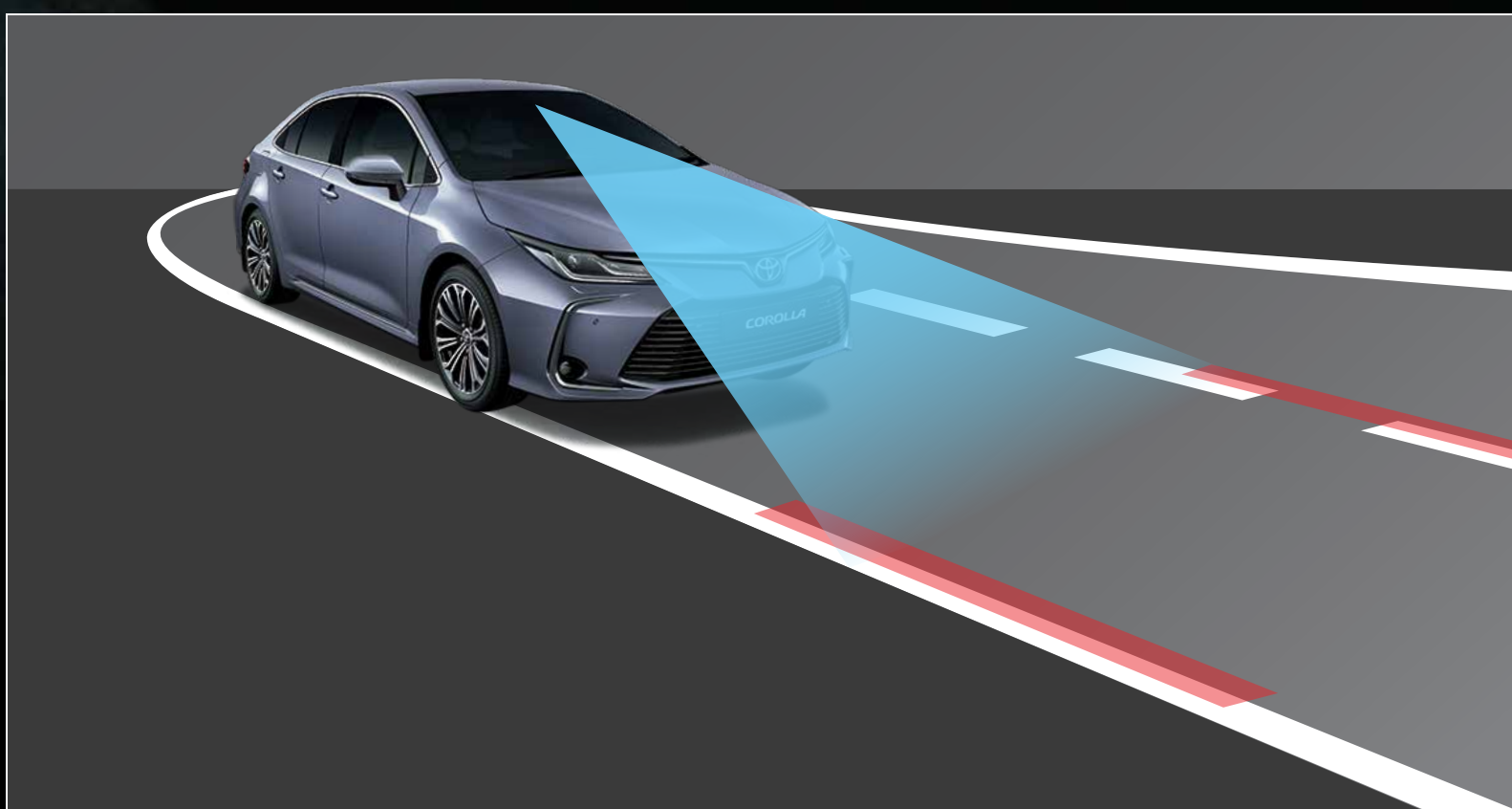


### Pre-collision System (PCS)\*

Avoids or mitigates frontal collisions by alerting the driver and automatically applying the brakes when there is a risk of collision.

### Sistem Pra Pelanggaran\*

Dilengkapi dengan sistem amaran kepada pemandu dan juga sistem brek automatik apabila ia mengesan risiko pelanggaran.



### Lane Departure Alert (LDA)\*

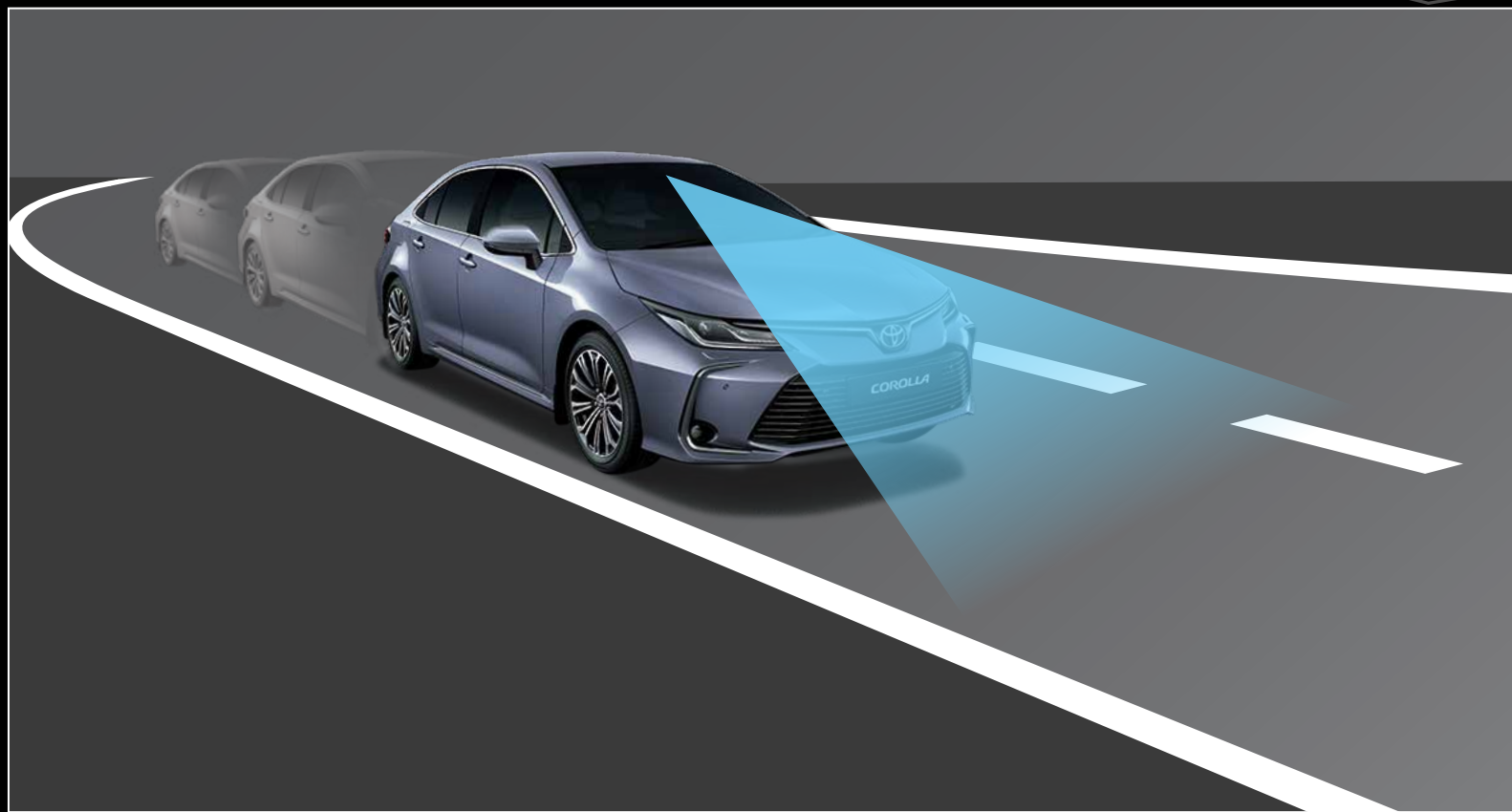
Alerts and assists when you are out of the lane unintentionally. Less swaying, smoother driving.

### Isyarat Amaran Kegunaan Lorong\*

Memberi isyarat dan membantu apabila kenderaan terkeluar dari lorong bagi memastikan kelancaran pemanduan.

\*Driver remains solely responsible at all times for safe driving.

\*Pemandu bertanggungjawab sepenuhnya untuk memastikan keselamatan pemanduan pada setiap masa.

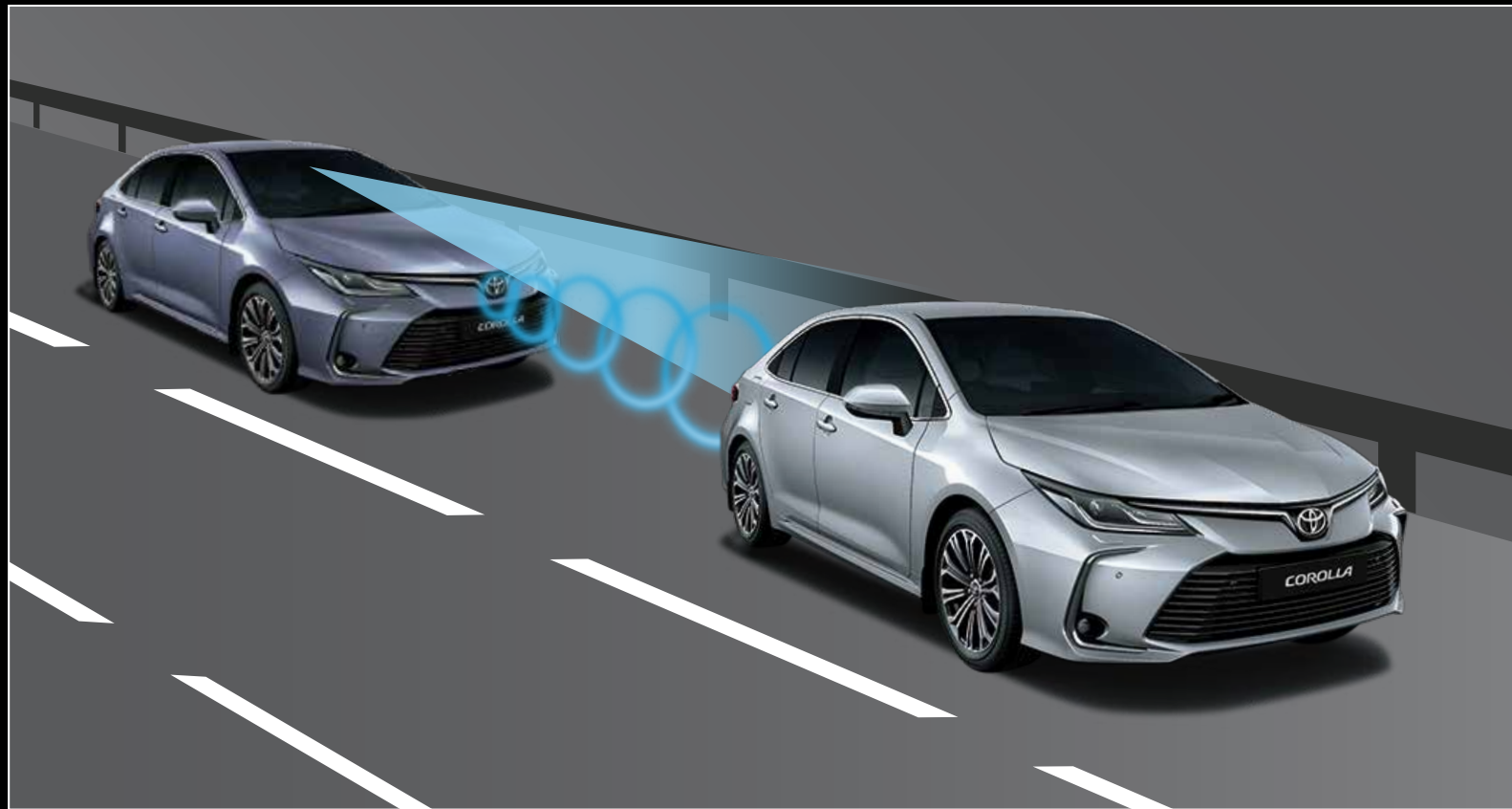


### Lane Tracing Assist (LTA)\*

Keeps the vehicle centered either by detecting the lane or the preceding vehicle.

#### Sistem Bantuan Dengan Pengawasan Kawalan Kegunaan Lorong\*

Mengekalkan kenderaan di lorong tengah dengan mengesan laluan lorong ataupun kenderaan yang berhampiran.



### Dynamic Radar Cruise Control (DRCC) for All Speeds\*

Maintain a safe distance with preceding vehicle and brakes automatically when the car ahead stops.

#### Radar Dinamik Dengan Kawalan Suai Pandu untuk Semua Had Kelajuan\*

Mengekalkan jarak selamat dengan kenderaan hadapan dan brek secara automatik ketika kereta di hadapan berhenti.



### Automatic High Beam (AHB)\*

Automatically switches between high beam and low beam as needed to provide maximum road visibility.

#### Cahaya Automatik Lampu Besar\*

Penukaran automatik antara cahaya lampu besar dan cahaya malam ketika diperlukan untuk memberi penglihatan jalan raya yang maksima.

\*Driver remains solely responsible at all times for safe driving.

\*Pemandu bertanggungjawab sepenuhnya untuk memastikan keselamatan pemanduan pada setiap masa.



### Tyre Pressure Warning System

Notifies you when tyre pressure is below acceptable level, helping you maintain optimum fuel efficiency at all times.

#### Sistem Pemantauan Tekanan Tayar

Sistem berfungsi untuk memberi notifikasi apabila tekanan tayar di bawah tahap yang sepatutnya dan membantu untuk mengekalkan kecekapan bahan api pada kadar optimum.



### Electric Parking Brake (EPB) with Automatic Brake Hold

Keeps the vehicle stationary on flat roads with a simple button. Automatic release during acceleration.

#### Brek Parkir Elektronik Lengkap dengan Sistem "Brake Hold"

Memastikan kenderaan tidak bergerak sementara anda menukarkan kaki dari pedal brek ke pendikit dengan satu butang. Brek dilepas apabila pedal minyak ditekan.

### Emergency Stop Signal (ESS)

In an emergency braking situation, the hazard lamps flash to warn drivers behind.

#### Isyarat Berhenti Kecemasan (ESS)

Dalam situasi kecemasan, lampu kecemasan akan menyala untuk memberi isyarat kepada pemandu di belakang.

### Parking Sensor

Front and rear parking sensors alerts the driver when objects are in close proximity resulting in easier parking.

#### Sensor Parkir

Sensor di hadapan dan belakang memberi amaran kepada pemandu apabila terdapat objek dalam lingkungan sensor.

# 360-T Advanced It's all about Trust & Technology by Toyota.

## SAFE-T Trust for smoother journeys ahead



**Blind Spot Monitor (BSM)**  
Peninjau Titik Buta (BSM)



**Front & Rear Digital Video Recorder (DVR)**  
Perakam Video Digital Hadapan & Belakang (DVR)

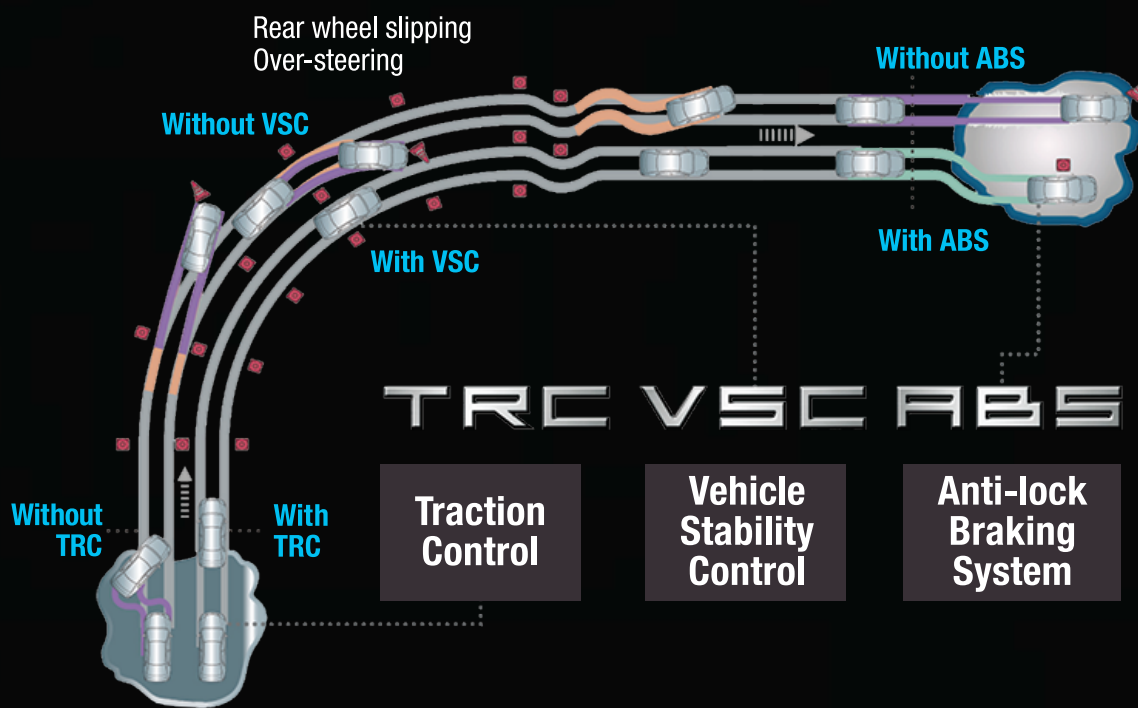
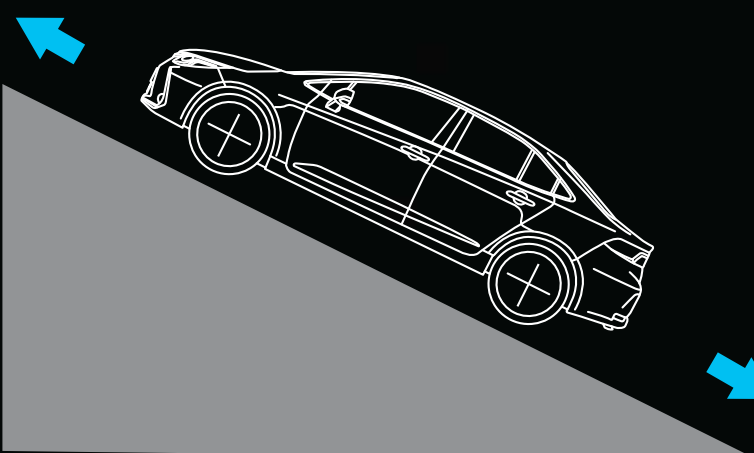


**3D Panoramic View Monitor (PVM)**  
3D Monitor Pandangan Panoramik (PVM)



**7 SRS Airbags**  
7 Beg Udara SRS

**Hill-start Assist Control (HAC)**  
Kawalan Bantuan Mula-Mendaki



**Vehicle Stability Control (VSC) with Traction Control (TRC)**  
Kawalan Kestabilan Kenderaan (VSC) dengan Sistem Kawalan Cengkaman (TRC)

## CONNECTIVI-T Technology at your command

## GUARAN-T Total peace of mind



**Wireless Charger**  
Pengecas Tanpa Wayar



**9" Display Audio with AACP-ready Connectivity**  
Paparan Audio 9" dengan Keterkaitan Apple CarPlay dan Android



5 years warranty from the date of first registration with unlimited mileage.

Terms and conditions apply.

Waranti 5 tahun daripada tarikh pendaftaran dengan jumlah bantuan tanpa had.

Tertakluk pada terma & syarat.



**USB & Accessory Connector**  
USB & Aksesori Berkuasa



**Vehicle Telematics System (VTS)\***  
Sistem Telematik Kenderaan

\*Optional accessory for 1.8E variant  
\*Aksesori tambahan untuk varian 1.8E

# COLOUR OPTIONS



Celestite Gray Metallic (1K3)



Platinum White Pearl (089)



Silver Metallic (1D4)



Attitude Black (218)



Red Mica Metallic (3R3)

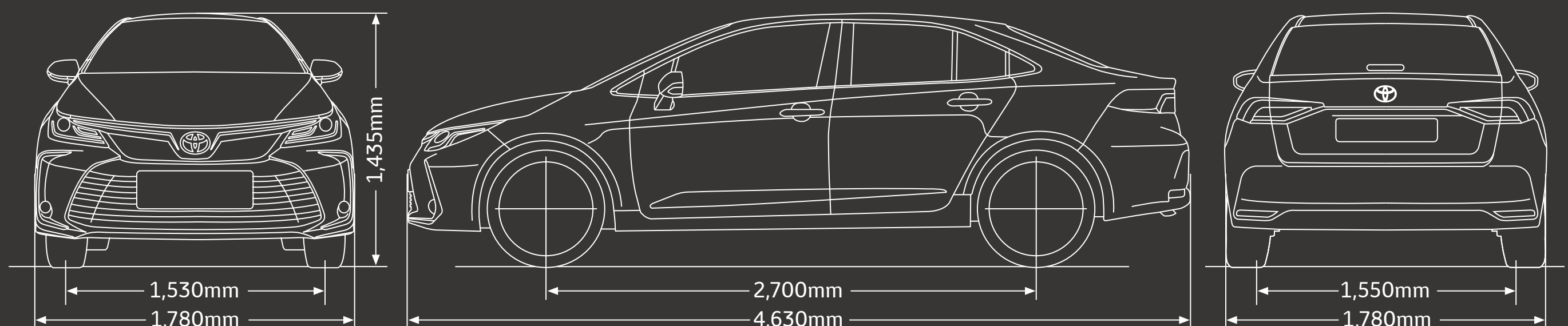




# SPECIFICATIONS

VARIANT	1.8G		1.8E	
<b>ENGINE</b>				
Model	2ZR-FE			
Type	4-cylinder, In-line, 16-valve DOHC with Dual VVT-i			
Displacement	cc	1,798		
Max. Output	kW (PS) / rpm	103 (139) / 6,400		
Max. Torque	Nm (Kg-m) / rpm	172 (17.6) / 4,000		
<b>TRANSMISSION</b>				
Type	7-speed Sequential Shiftmatic CVT			
Paddle Shifters	With		Without	
<b>CHASSIS</b>				
Suspension	Front / Rear	MacPherson Strut with Stabiliser / Double Wishbone with Stabiliser		
Brakes	Front / Rear	Ventilated Disc / Solid Disc		
Tyres & Rims		225/45 R17, Alloy	205/55 R16, Alloy	
Spare Tyre & Rim	225/45 R17, Alloy	205/55 R16, Alloy		
Steering	Electric Power Steering			
<b>DIMENSIONS</b>				
Kerb Weight	kg	1,365		
Fuel Tank Capacity	litre	50		
Minimum Turning Radius	m	5.2		
<b>EXTERIOR FEATURES</b>				
Headlamps	Type	Automatic Bi-LED Projector with LED Turn Signals	Automatic Bi-Halogen with Turn Signals	
	Levelling	Manual		
	DRL	With (LED)		
Rear Combination Lamps	LED Tail and Stop Lamps			
Fog Lamps	Front and Rear			
Acoustic Windshield Glass	With			
Radiator Grille	Glossy Black + Plating			
Wing Mirrors	Power-adjustable, Auto Fold with Reverse Link & Signal Lamps		Power-adjustable with Auto Fold and Signal Lamps	
Remote Trunk Release	With			
Wipers	Automatic with Rain Sensor		With Intermittent (Time Adjustable)	
<b>INTERIOR FEATURES</b>				
Smart Entry and Start System	With			
Drive Mode	With (ECO & SPORT Mode)			
Meter Combination	Optitron (with option to switch to Analog & Digital type)		Standard	
Multi-information Display (MID)	7" Colour TFT		4.2" Colour TFT	
Air-conditioning	Dual Zone, Automatic Climate Control with Rear Blower		Single Zone, Automatic Climate Control with Rear Blower	
Steering Wheel	Type	3-spoke Leather with Tilt & Telescopic Adjustable		
	Switches	Audio, MID, Telephone, Adapt. Cruise Control & Lane Tracing Assist		Audio, MID & Telephone
Gear Shift Lever	Leather			
Power Windows	Front and Rear with Auto Up/Down & Jam Protection (All Windows)			
Audio	Type	Display Audio with 9" Capacitive Touch Screen, Apple CarPlay & Android Auto-ready Connectivity, Miracast, USB & Bluetooth®		DVD Player with 6.8" Touch Screen, Tuner, MP3, Voice Dial, USB, AUX & Bluetooth®
	Speakers	6		
Seats	Material / Colour	Leather with Double Stitching / Black		Fabric with Single Stitching / Black
	Driver Seat	Powered 8-way Adjustable with Power Lumbar Support		
	Front Passenger Seat	Manual Adjust		

## DIMENSIONS



# SPECIFICATIONS

VARIANT		1.8G	1.8E
<b>INTERIOR FEATURES</b>			
Seats	Rear Seat	60:40 Split Foldable	
	Rear Armrest	With Cupholders	
Inside Rear View Mirror		Electrochromic Mirror	Manual Day & Night
Rear Sunshade		With	Without
Wireless Charger		With	Without
Illuminated Entry System		With (Push Start & Room)	
3D Panoramic View Monitor (PVM)		With	Optional
Digital Video Recorder (DVR)	Front	With	Optional
	Rear	With	Optional
Portable Tyre Pump		With	
<b>SAFETY</b>			
Toyota Safety Sense			
Pre-collision System (PCS)		With	Without
Lane Departure Alert (LDA) with Steering Assist & Lane Tracing Assist (LTA)		With	Without
Dynamic Radar Cruise Control (DRCC)		With(All Speeds)	Without
Automatic High Beam (AHB)		With	Without
Blind Spot Monitor (BSM)		With	Without
Vehicle Stability Control (VSC) & Traction Control (TRC)		With	
Anti-lock Braking System (ABS)		With Electronic Brake-force Distribution (EBD) and Brake Assist (BA)	
Hill-start Assist Control (HAC)		With	
Emergency Stop Signal (ESS)		With	
Parking Sensors		With (Front & Rear)	
Parking Brake		Electric Parking Brake (EPB) with Automatic Brake Hold	Mechanical Brake
Tyre Pressure Warning System		With	
SRS Airbags		7 Airbags (Front, Front Side, Curtain & Driver Knee)	
Seatbelts	Warning	Driver, Front Passenger & Rear Passenger	
	Front	3-Point ELR x 2 with Pretensioner and Force Limiter	
	Rear	3-Point ELR x 3	
ISOFIX		With (Rear Only)	
<b>SECURITY</b>			
Alarm System		2 Remote Control Units, Immobiliser, Siren with Backup Battery, Cabin Sensor & Speed Auto Door Lock	
Toyota Premium Security & Solar Film		With	
Vehicle Telematics System (VTS)		With	Optional

- UMW Toyota Motor reserves the right to alter any details of specifications and equipment without notice.
- Details of specifications and equipment are also subject to change to suit local conditions and requirements.
- Vehicle and specifications in this catalogue may vary from models available locally. Vehicle body an accessory colours might differ slightly from the printed photos in this catalogue.
- All images are used for illustrative purposes.



5 years warranty from the date of first registration with unlimited mileage. Terms and Conditions apply.



For Your Auto-Financing Needs

Follow us!

